

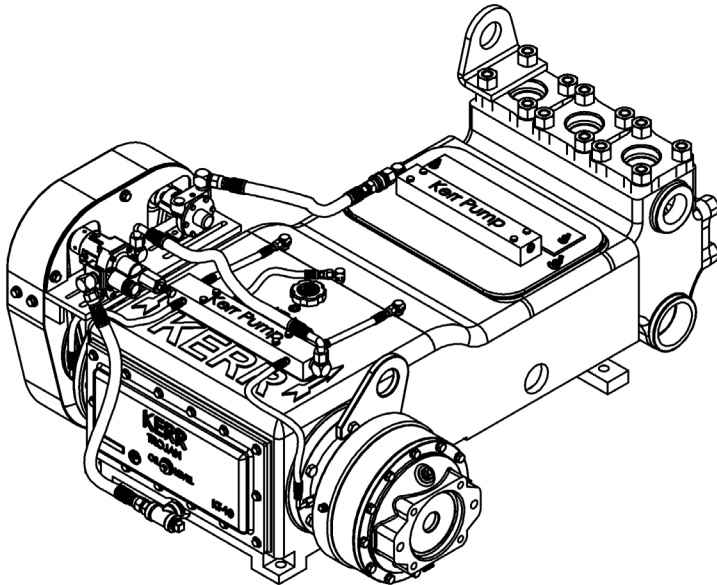
# KERR

## PUMPS

### KT-3350PT

117 BHP Triplex Piston Pump

Intermittent Duty



KT-3350PT - RH

### SPECIFICATIONS

Configuration	Horizontal Triplex Piston
Number of Pistons	3
Stroke Length	3.5" / 89 mm
Frame Load Rating	9,264 lbs
Fluid Cylinder Pressure Rating	2,160 PSI
Pump Weight (Avg.)	1,200 lbs / 545 kilos
Kerr Max Speed	430 RPM
Minimum Speed	100 RPM
Mechanical Efficiency (Bare Shaft)	90%
Lube System (Standard)	Splash - Gravity Feed
Lube System (Optional)	Force Feed
Lube Oil Capacity	16 quarts / 15.4 liters
Lube Oil Type	Petroleum per AGMA 5EP (ISO 220) or Synthetic per SAE 75W-90 (ISO 100)
Connection Sizes	3" NPT Suction 2" NPT Discharge

### FLUID END

Cast Ductile Iron
Other materials available on request

### VALVES

WING GUIDED	
17-4 HT / AR Urethane Inserted	

### PISTONS / LINERS

Rubber / Ceramic Sleeved
Rubber / Chrome Plated-Sleeved
Rubber / Kerramic (Ceramic) Coat

\* Consult Factory for Authorized Drawings for Dimensions

1) Displacement is based on 100% Volumetric Efficiency (VE)

2) Consult factory for operating speeds above maximum shown

3) 1 US gallon = 3.78541 liters

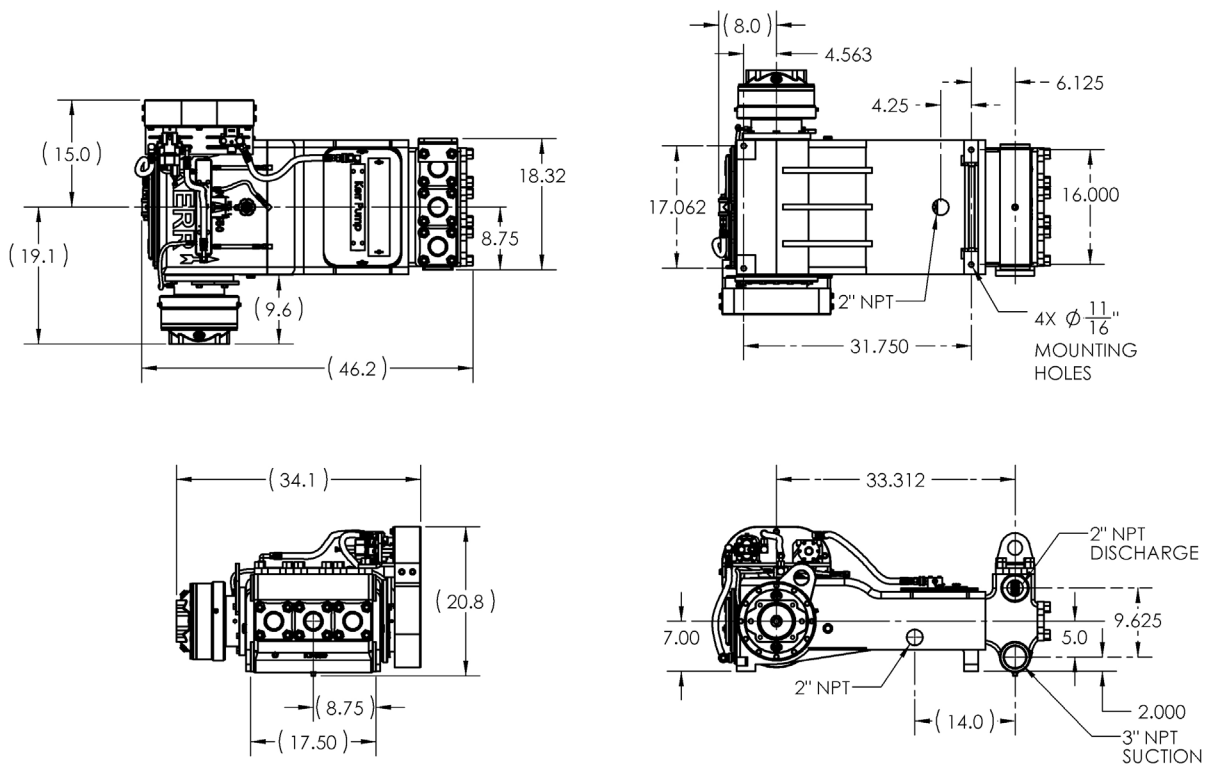
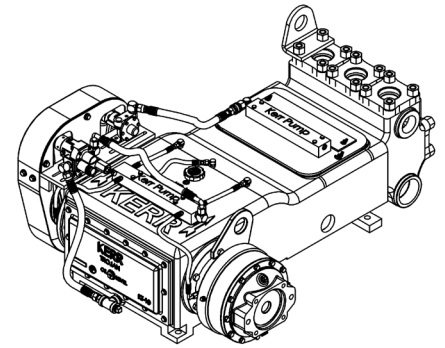
# KERR

## PUMPS

### KT-3350PT

117 BHP Triplex Piston Pump

Intermittent Duty



PIST DIA. INCHES	MAX PRESS PSI	DISP GAL PER REV	DISPLACEMENT																	
			100 RPM		150 RPM		190 RPM		230 RPM		270 RPM		310 RPM		350 RPM		390 RPM		430 RPM	
			GPM	BPD	GPM	BPD	GPM	BPD	GPM	BPD	GPM	BPD	GPM	BPD	GPM	BPD	GPM	BPD	GPM	BPD
3.000	1311	0.3213	32.1	1102	48.2	1653	61.0	2094	73.9	2535	86.8	2976	99.6	3416	112.5	3857	125.3	4298	138.2	4739
3.500	963	0.4373	43.7	1500	65.6	2250	83.1	2850	100.6	3450	118.1	4050	135.6	4650	153.1	5250	170.6	5850	188.0	6450
4.000	737	0.5712	57.1	1959	85.7	2939	108.5	3722	131.4	4506	154.2	5290	177.1	6074	199.9	6857	N/A		N/A	

\* Consult Factory for Authorized Drawings for Dimensions

1) Displacement is based on 100% Volumetric Efficiency (VE)

2) Consult factory for operating speeds above maximum shown

3) 1 US gallon = 3.78541 liters