

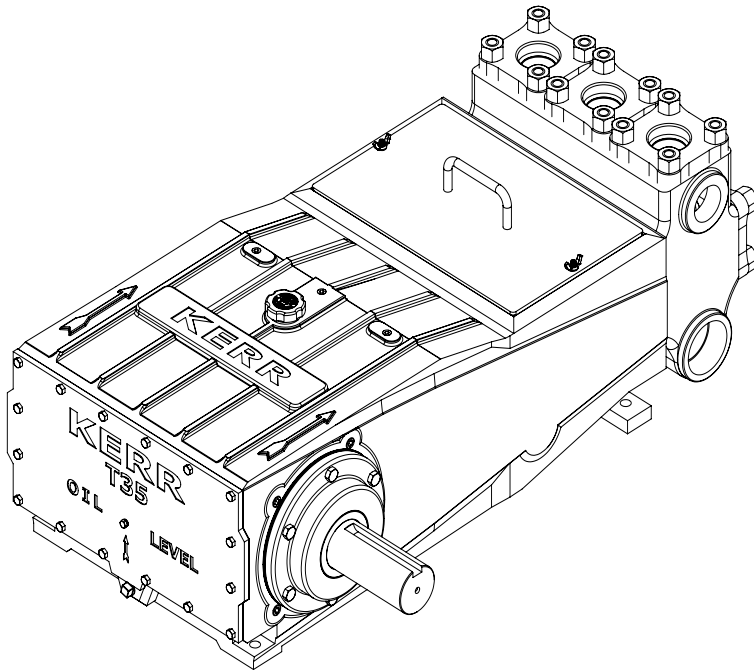
KERR

PUMPS

T35M

145 BHP Triplex Plunger Pump

Intermittent Duty



SPECIFICATIONS

Configuration	Horizontal Triplex Plunger
Number of Plungers	3
Stroke Length	3.500" / 89 mm
Frame Load Rating	11,432 lbs
Fluid Cylinder Pressure Rating	2,160 PSI
Pump Weight (Avg.)	1200 lbs / 545 kilos
Kerr Max Speed	430 RPM
Minimum Speed	100 RPM
Mechanical Efficiency (Bare Shaft)	90%
Lube System (Standard)	Splash- Gravity Feed
Lube System (Optional)	Force Feed
Lube Oil Capacity	21 quarts / 20.2 liters
Lube Oil Type	Petroleum per AGMA 5EP (ISO 220) or Synthetic per SAE 75W-90 (ISO 100)
Connection Sizes	3" NPT Suction 2" NPT Discharge

FLUID END

Cast Ductile Iron (65-45-12)
Cast Carbon Steel (WCB)
Cast Nickel Aluminium Bronze (955)
Cast Stainless Steel CF8M (316)
Cast Duplex SS CD3MN (2205)
Forged Carbon Steel (A105)
Forged Stainless Steel (316)

VALVES

DISC TYPE / SEAT (MAX. 2,160 PSI)	WING GUIDED
Delrin Disc / SS (316)	Ni-Al-Brz (955) / Metal-to-Metal
Delrin / Ni-Al-Brz (955)	Monel / Metal-to-Metal
Delrin / Duplex SS (CD4MCU)	SS (316) / Metal-to-Metal
SS (316) / SS (316)	17-4 HT Metal-to-Metal
Titanium / SS (316)	SS (316) / AR Urethane Inserted
PEEK / SS (316)	17-4 HT / AR Urethane Inserted

PLUNGERS

Colmonoy 730 Hard Coat
Solid Ceramic (2,160 Max. PSI)
Kerramic (Ceramic) Coated
Solid 316 Stainless Steel

* Consult Factory for Authorized Drawings for Dimensions

1) Displacement is based on 100% Volumetric Efficiency (VE)

2) Consult factory for operating speeds above maximum shown

3) 1 US gallon = 3.78541 liters

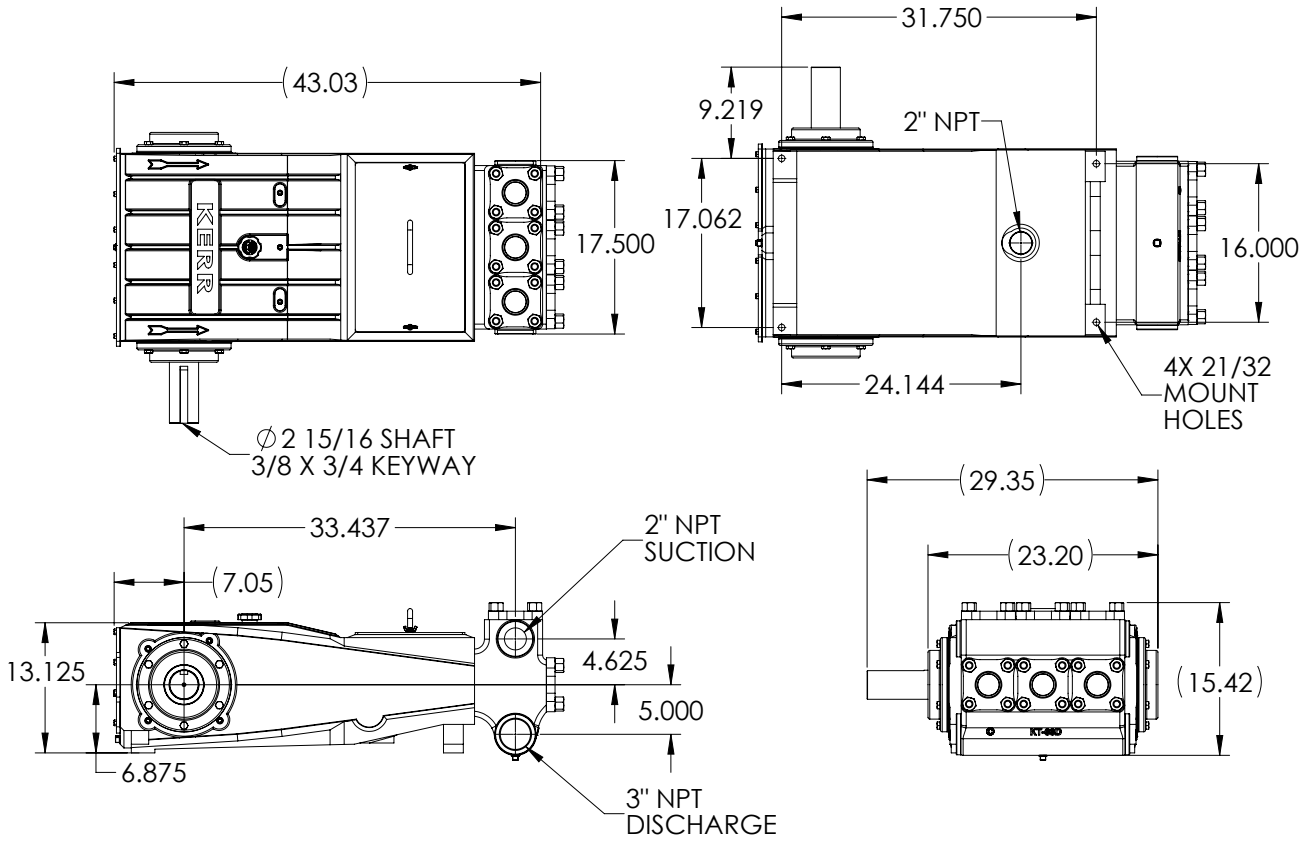
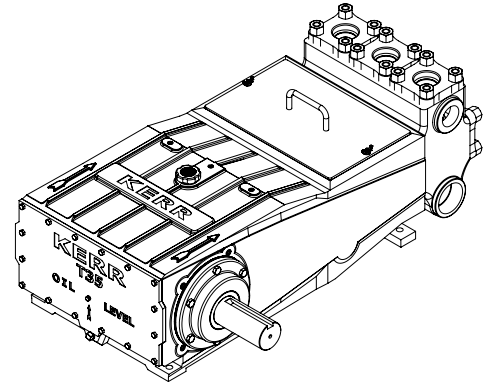
KERR

PUMPS

T35M

145 BHP Triplex Plunger Pump

Intermittent Duty



PLGR DIA. INCHES	MAX PRESS PSI	DISP GAL PER REV	DISPLACEMENT																	
			100 RPM		150 RPM		190 RPM		230 RPM		270 RPM		310 RPM		350 RPM		390 RPM		430 RPM	
			GPM	BPD	GPM	BPD	GPM	BPD	GPM	BPD	GPM	BPD	GPM	BPD	GPM	BPD	GPM	BPD	GPM	BPD
2.000	2160	0.1428	14.3	490	21.4	735	27.1	931	32.8	1127	38.6	1322	44.3	1518	50.0	1714	55.7	1910	61.4	2106
2.250	2160	0.1807	18.1	620	27.1	930	34.3	1178	41.6	1426	48.8	1674	56.0	1922	63.3	2170	70.5	2418	77.7	2666
2.500	2160	0.2231	22.3	765	33.5	1148	42.4	1454	51.3	1760	60.2	2066	69.2	2372	78.1	2679	87.0	2985	95.9	3291
2.750	1925	0.2700	27.0	926	40.5	1389	51.3	1759	62.1	2130	72.9	2500	83.7	2871	94.5	3241	105.3	3612	116.1	3982
3.000	1617	0.3213	32.1	1102	48.2	1653	61.0	2094	73.9	2535	87	2976	100	3416	112	3857	125	4298	138	4739

* Consult Factory for Authorized Drawings for Dimensions

1) Displacement is based on 100% Volumetric Efficiency (VE)

2) Consult factory for operating speeds above maximum shown

3) 1 US gallon = 3.78541 liters